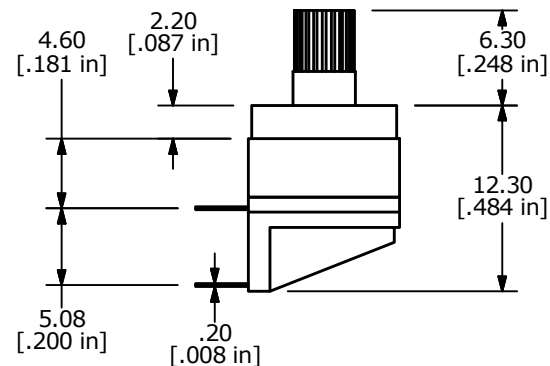
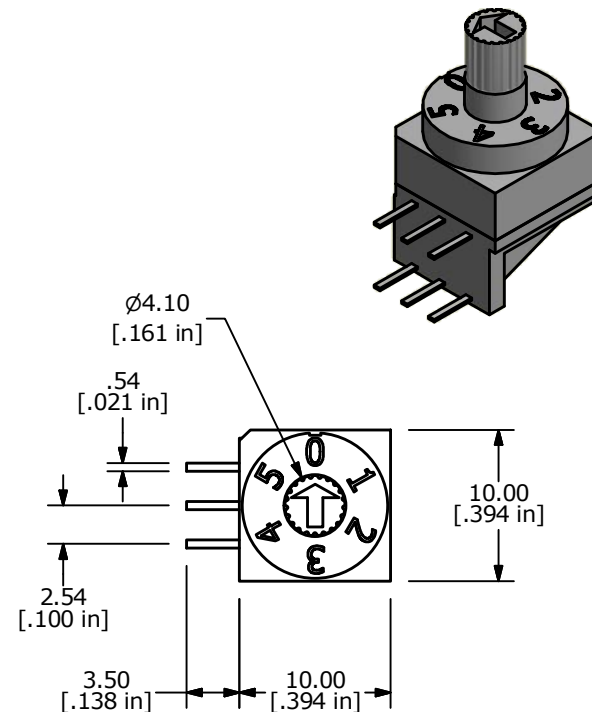
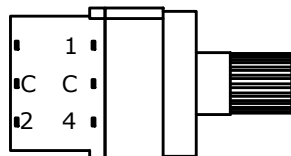


REAL CODED

| | C | 1 | 2 | 4 | 8 |
|---|---|---|---|---|---|
| 0 | ○ | | | | |
| 1 | ○ | ○ | | | |
| 2 | ○ | ○ | ○ | | |
| 3 | ○ | ○ | ○ | ○ | |
| 4 | ○ | | | ○ | |
| 5 | ○ | ○ | ○ | ○ | |

NOTES:

1. ALL DIMENSIONS IN MM [INCH]
2. GENERAL TOLERANCE: X.X = ± 0.4
X.XX = ± 0.25
3. TERMINAL NUMBERS FOR REFERENCE ONLY
4. OPERATING TORQUE: 700gf MAX.
- ▲ 5. CONTACT RATING: 150mA, 42V DC (SWITCHING)
200mA 42V DC (NON-SWITCHING)
6. CONTACT RESISTANCE: 80mΩ MAX.
7. INSULATION RESISTANCE: 100MΩ MIN @ 250VDC
8. DIELECTRIC STRENGTH: 250VAC 1 MIN.
9. LIFE: 10,000 STEPS
10. OPERATING TEMPERATURE: -40°C TO 85°C
- ▲ 11. PACKAGING: 50 PCS TUBE
12. IP RATING: IP67
13. ▲ DENOTES CRITICAL PARAMETER
14. 2002/95/EC (ROHS) COMPLIANT



| | | | | |
|-----|--------|-----------------------|---------|----|
| A | 22150 | RELEASE TO PRODUCTION | 2/17/16 | MW |
| REV | PCR NO | DESCRIPTION | DATE | BY |

| | | | | |
|------------------|-----------|----|---------|-----|
| TITLE RDTBR06R1T | | | | |
| SCALE | DATE | DR | DWG | REV |
| 2:1 | 2/17/2016 | MW | U200037 | A |

THE INFORMATION CONTAINED IN THIS DOCUMENT IS PROPRIETARY TO E-SWITCH AND IS NOT TO BE COPIED OR TRANSFERRED